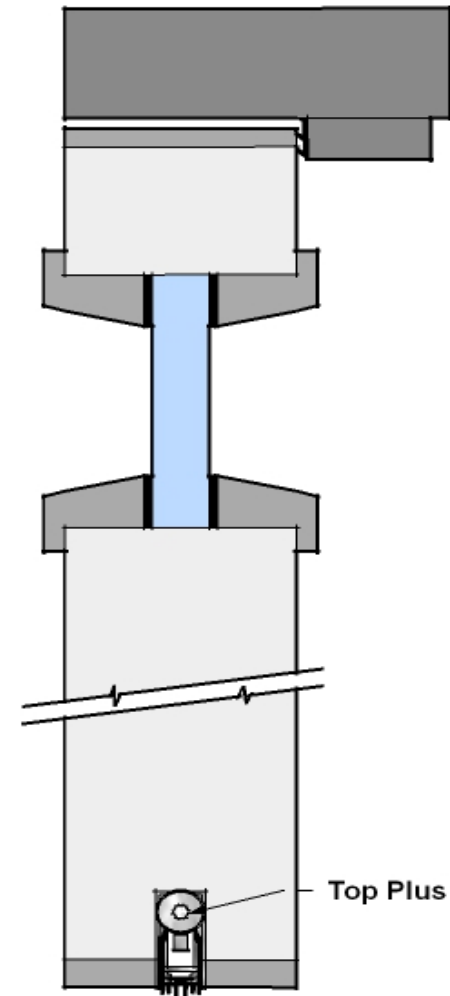


Core:- 44mm CF625 Premcor
Configuration:- Pair
Action:- Single Action
Vision Panel:- 7mm Glass
UKAS Test House :- SRL Technical Services Limited
Certificate Number:- C/22478/T01
Test Number:- 041

Acoustic Rating:- Rw 33dB



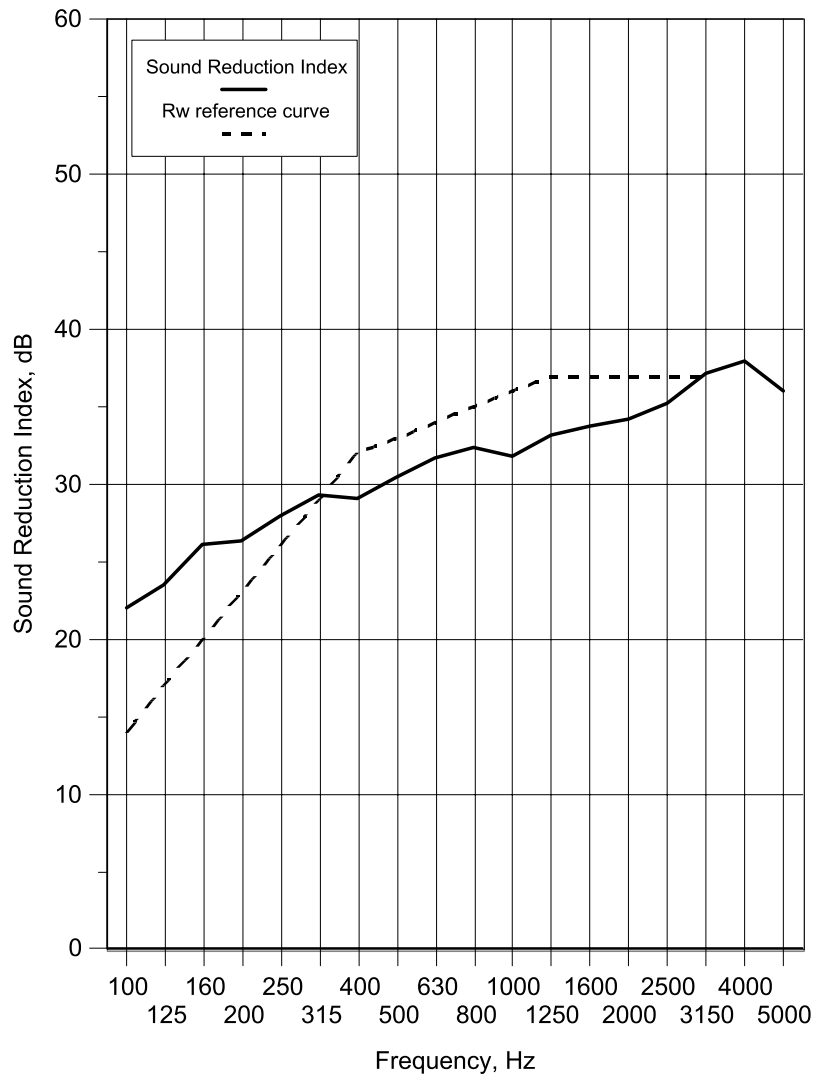
Please Note:-

Drawings are for indication of acoustic's only not fire, the correct configuration of fire seals must be added to achieve the required fire rating for the core.
Vision Panel Area to be minimum area of 8% of the door & maximum of 25% of the door.

Above drawings are indicative only

Test Number :	41	Test Room:	Source	Receiving
Client:	Midland Building Products	Air temperature:	16.3 °C	16.3 °C
Test Date:	24/04/2013	Air humidity:	66 %	66 %
Sample height:	2.1 m	Volume:	115 m3	300 m3
Sample width:	1.002 m			
Sample weight:	24.14 kg/m2	Air Pressure:	1014 mbar	
Product	Pair 44mm Premcore Light CF625. Glazing 7mm Pyroguard			
Identification:	Perimeter seal=FAS PER 35			
	Threshold seal=Top Plus			
	Meeting stile seal=15x4 Dual Seal			

Freq f Hz	Sound Reduction Index, dB	
	1/3 Oct	1/1 Oct
50+	27.6	22.8
63+	22.8	
80+	20.6	
100	22.0	23.6
125	23.5	
160	26.1	
200	26.4	27.7
250	27.9	
315	29.3	
400	29.1	
500	30.4	30.3
630	31.7	
800	32.4	
1000	31.8	32.4
1250	33.2	
1600	33.8	
2000	34.2	34.4
2500	35.2	
3150	37.2	
4000	38.0	37.0
5000	36.0	
6300+	38.2	
8000+	38.5	37.7
10000+	36.7	
Average 100-3150	30.3	Version v2.0



Rating according to BS EN ISO 717-1:1997

Rw(C;Ctr)= **33 (0;-2) dB**

* shows measurement corrected for background

+ shows frequency beyond standard and not UKAS accredited